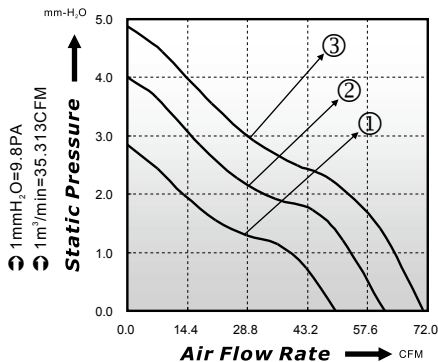


# 92x92x25mm

## ■ Case

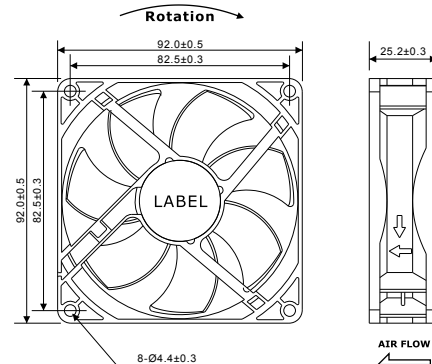


## ■ P-Q Curve (At Rated Voltage)



## ■ Dimensions Drawing

Unit: (mm)



Model No	Bearing (*)	Rated Voltage (VDC)	Rated Current (A)	Power Consumption (Watts)	Speed (rpm)	Air Flow (CFM)	Static Pressure (mmH <sub>2</sub> O)	Noise (dBA)	Curve
ED09225-12L*	○ ● ⊖	12	0.26	3.12	2500	49.85	2.85	32.80	1
ED09225-12M*	○ ● ⊖	12	0.32	3.84	3000	61.67	4.01	37.60	2
ED09225-12H*	○ ● ⊖	12	0.38	4.56	3500	70.79	4.88	42.60	3
ED09225-24L*	○ ● ⊖	24	0.18	4.32	2500	49.85	2.85	32.80	1
ED09225-24M*	○ ● ⊖	24	0.23	5.52	3000	61.67	4.01	37.60	2
ED09225-24H*	○ ● ⊖	24	0.28	6.72	3500	70.79	4.88	42.60	3

\* Bearing Type: ○ Sleeve ● Two Ball ⊖ Hydro-Dynamic